



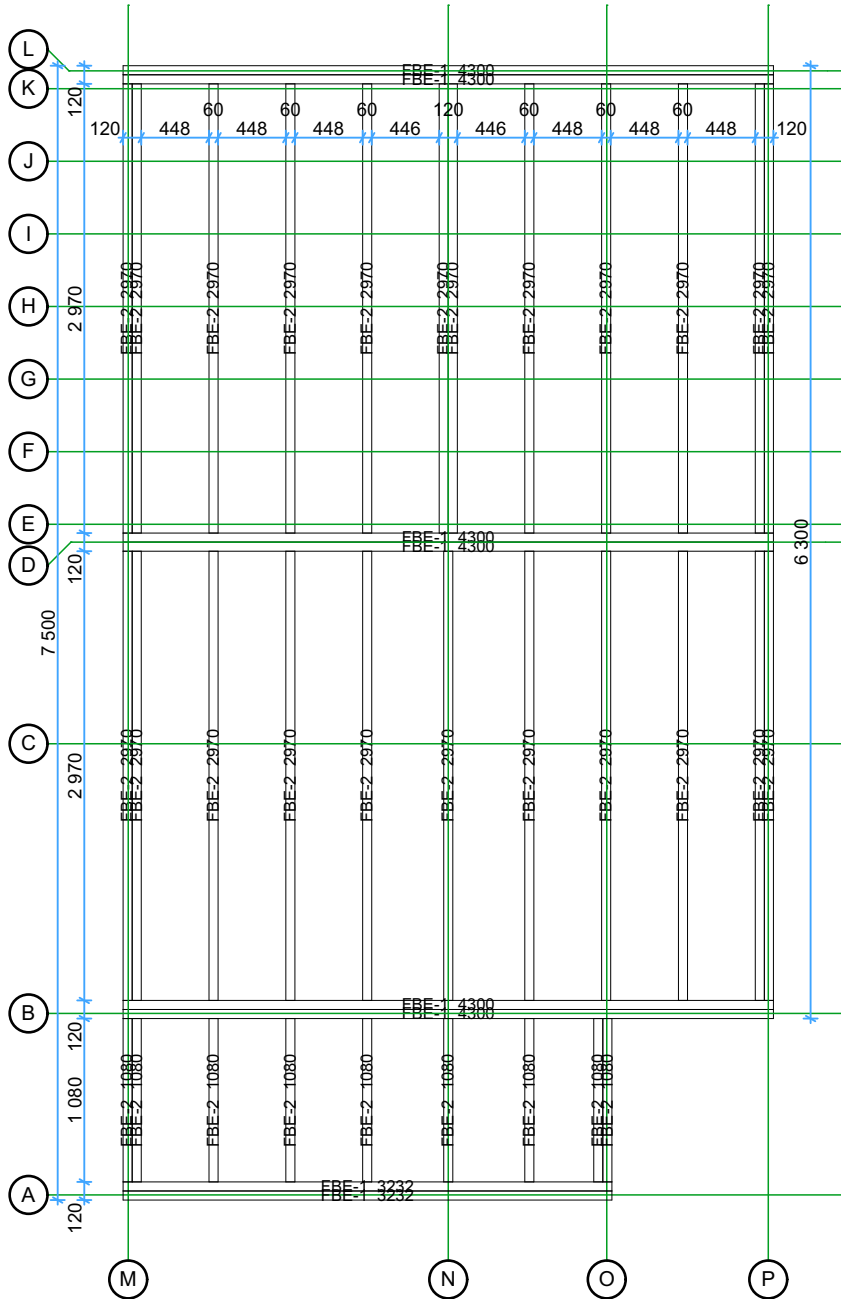
**68 Findon C35649**



Thickness:	Project name:	Project ID:	Year:	Page:
68	Findon	C35649	2025	2

Floor bearer

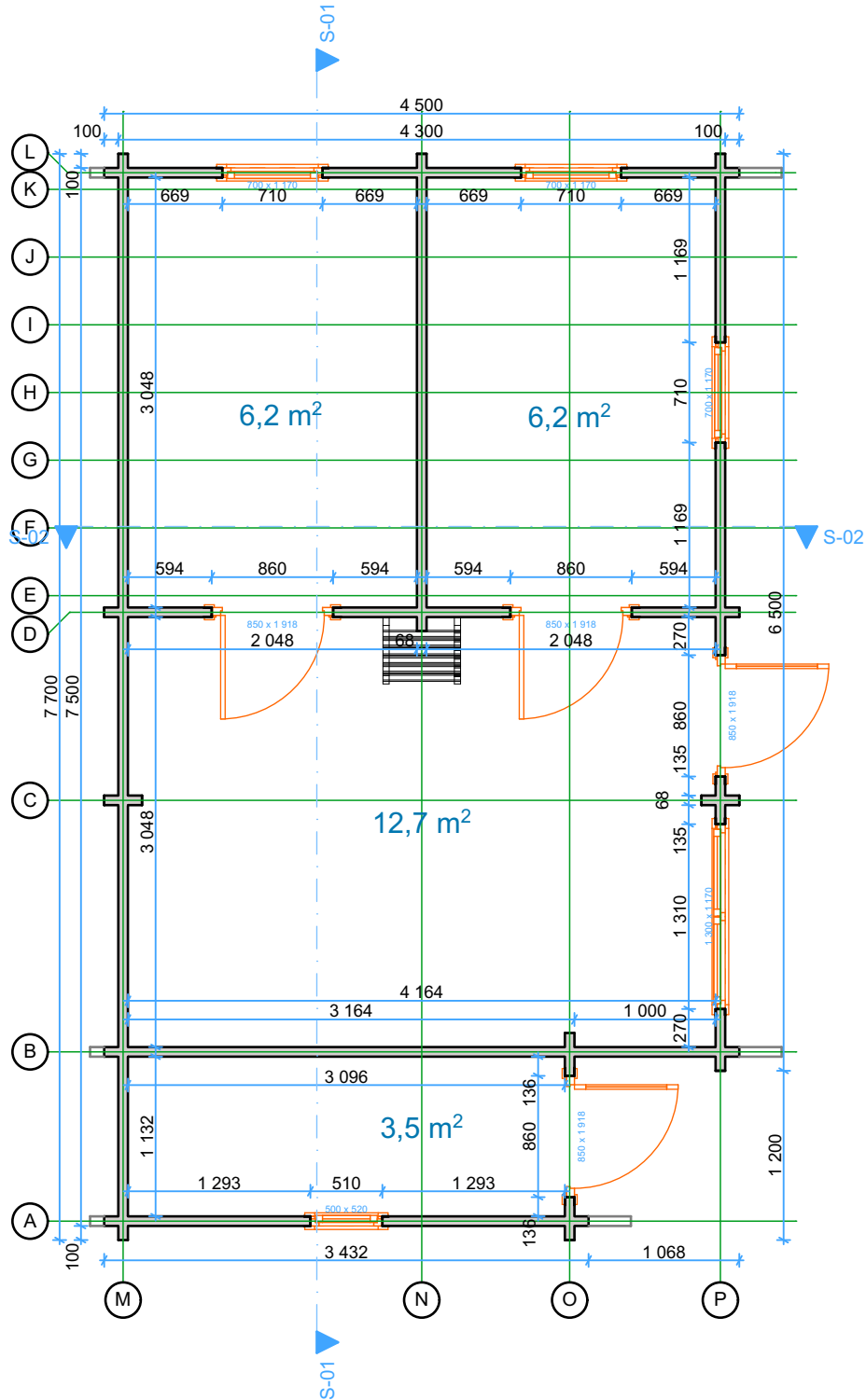
1:50



Thickness:	Project name:	Project ID:	Year:	Page:
68	Findon	C35649	2025	3

Ground Floor plan

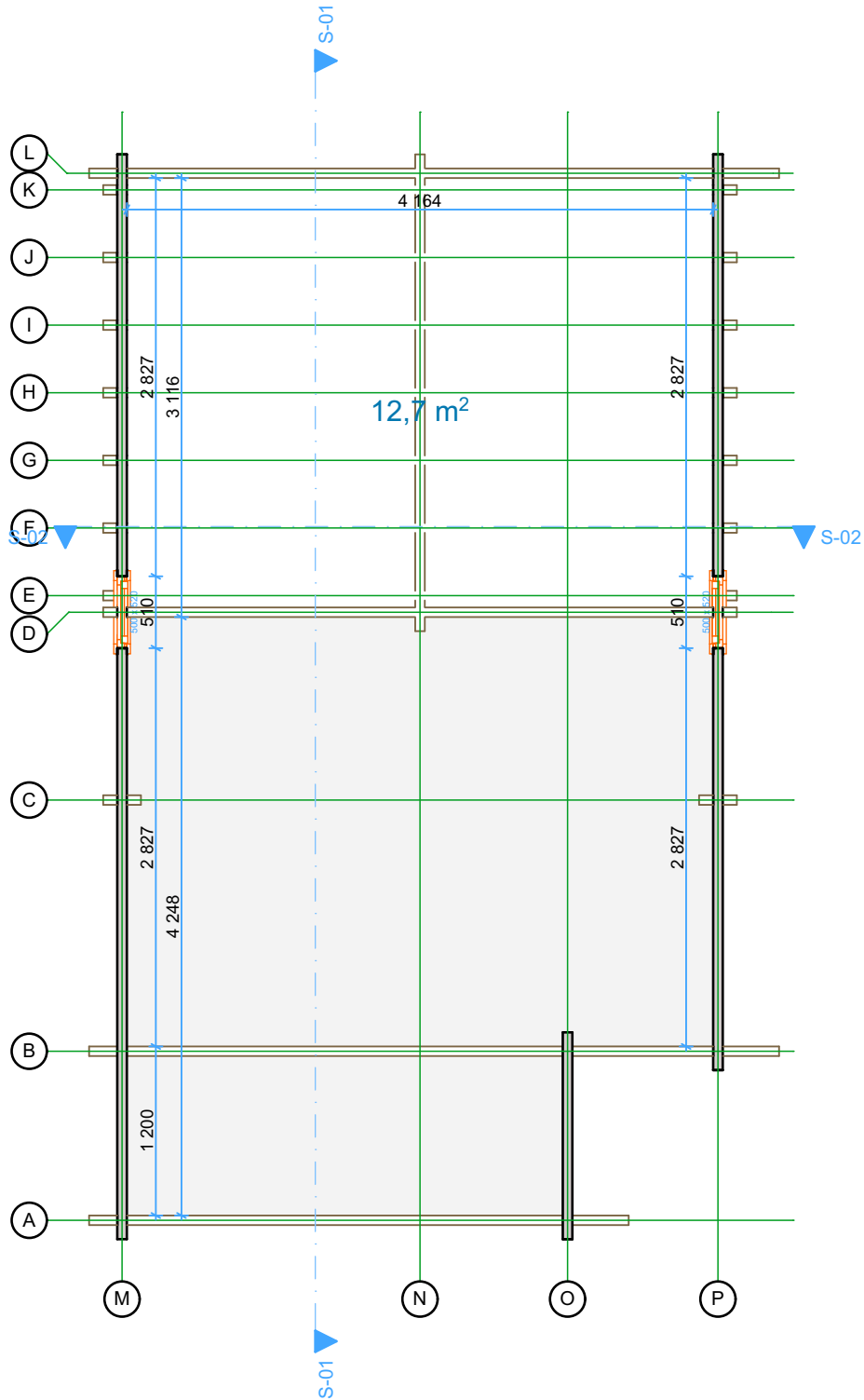
1:50



Thickness:	Project name:	Project ID:	Year:	Page:
68	Findon	C35649	2025	4

1 St. Floor plan

1:50

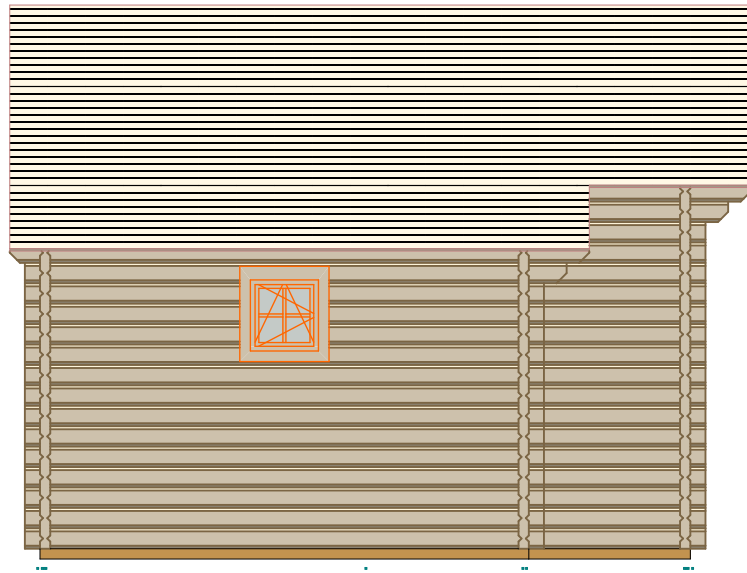


Thickness:	Project name:	Project ID:	Year:	Page:
68	Findon	C35649	2025	5



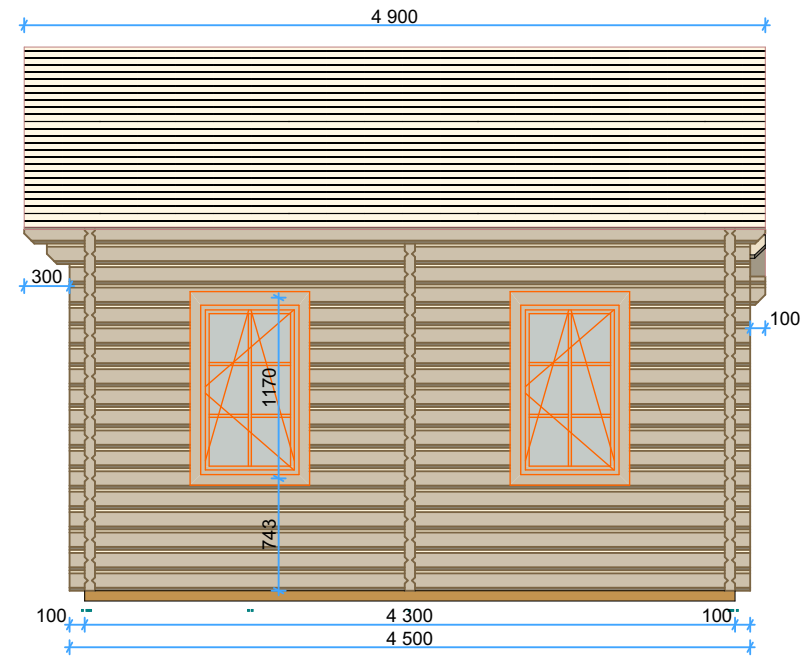
Front Elevation

1:50



Back Elevation

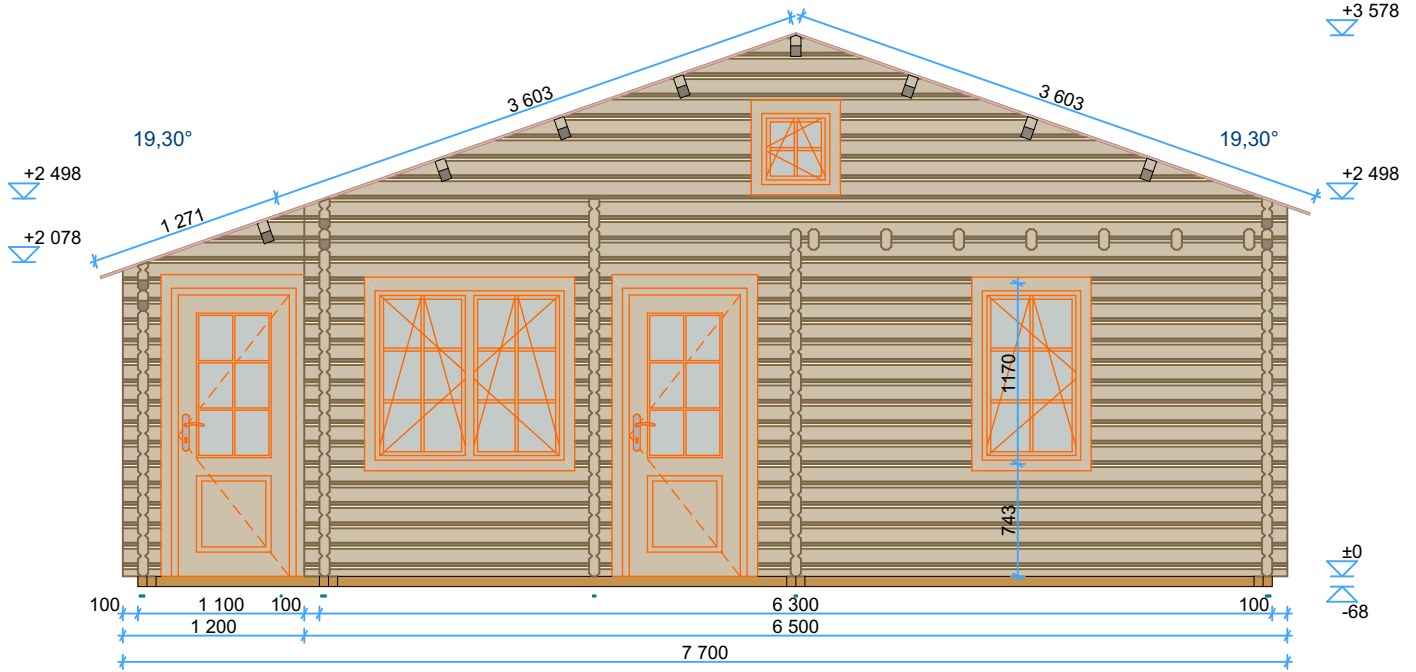
1:50



Thickness:	Project name:	Project ID:	Year:	Page:
68	Findon	C35649	2025	6

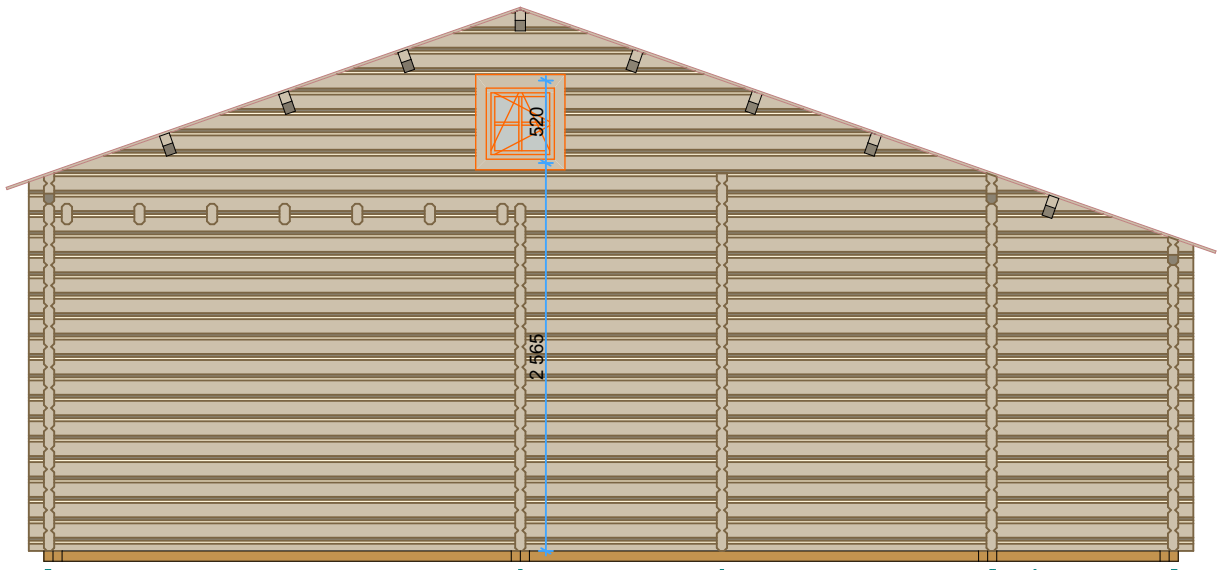
Right Elevation

1:50



Left Elevation

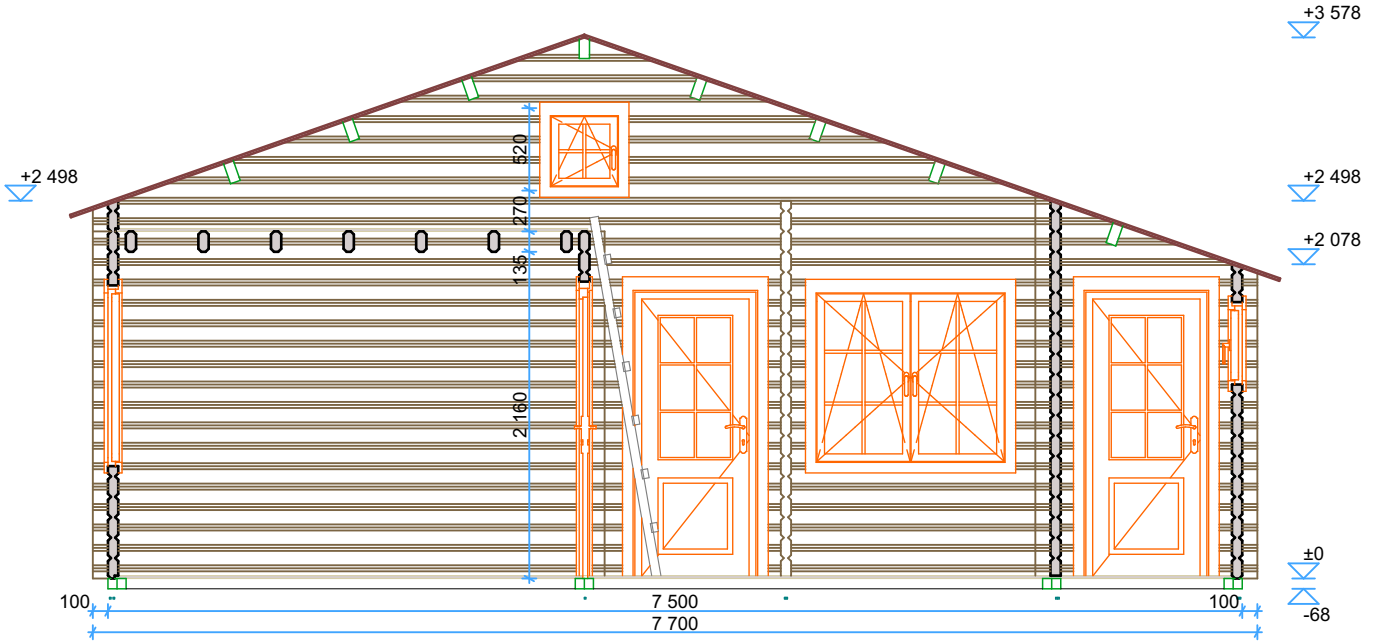
1:50



Thickness:	Project name:	Project ID:	Year:	Page:
68	Findon	C35649	2025	7

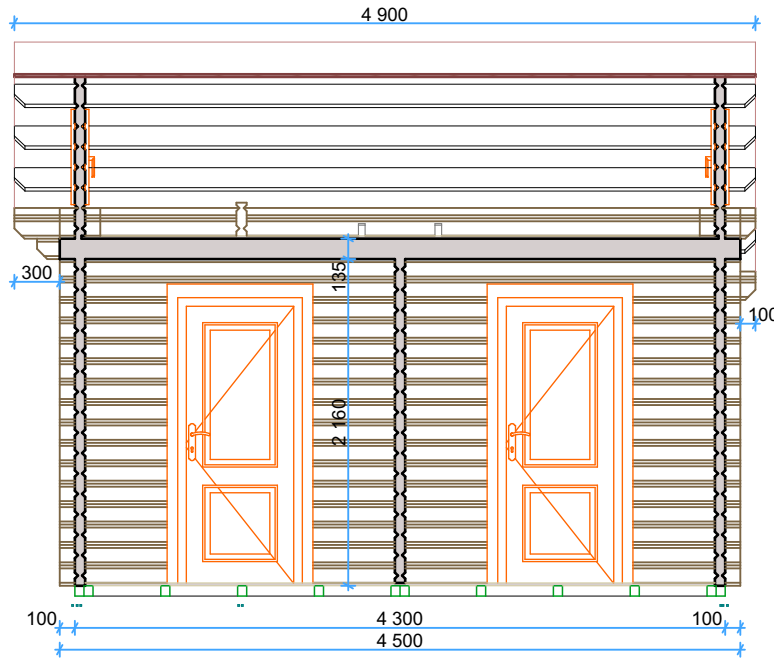
S-01

1:50



S-02

1:50



Thickness:	Project name:	Project ID:	Year:	Page:
68	Findon	C35649	2025	8



### Windows and doors list

Type-quality	Barcode	Wall Thickness	W x H Size	Orientation	Glazing	Quantity	3D Axonometry
Door - Premium	P19885-4	68	850×1 918	L	Full wood, no threshold (internal)	2	
Door - Premium	PG19285-2	68	850×1 918	R	50% glass, double glazed, safety (toughened) glass	2	
Window - Premium plus	P+P117130	68	1 300×1 170		Double glazed, safety (toughened) glass	1	
Window - Premium plus	P+P11770	68	700×1 170	L	Double glazed, safety (toughened) glass	2	
Window - Premium plus	P+P11770	68	700×1 170	R	Double glazed, safety (toughened) glass	1	
Window - Premium plus	P+P5250	68	500×520	L	Double glazed, safety (toughened) glass	1	
Window - Premium plus	P+P5250	68	500×520	R	Double glazed, safety (toughened) glass	2	