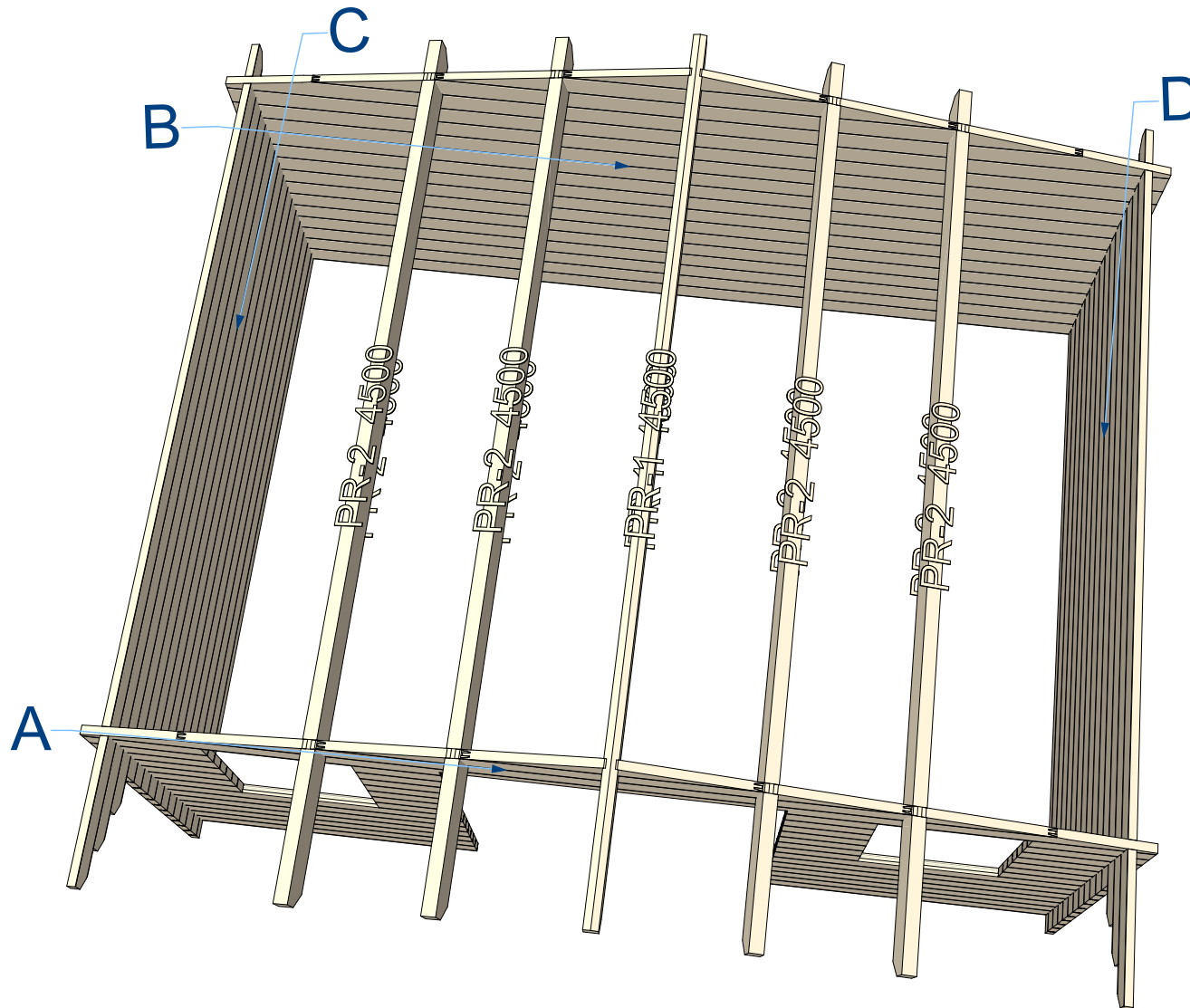




44 Olympian gold 5x3,8

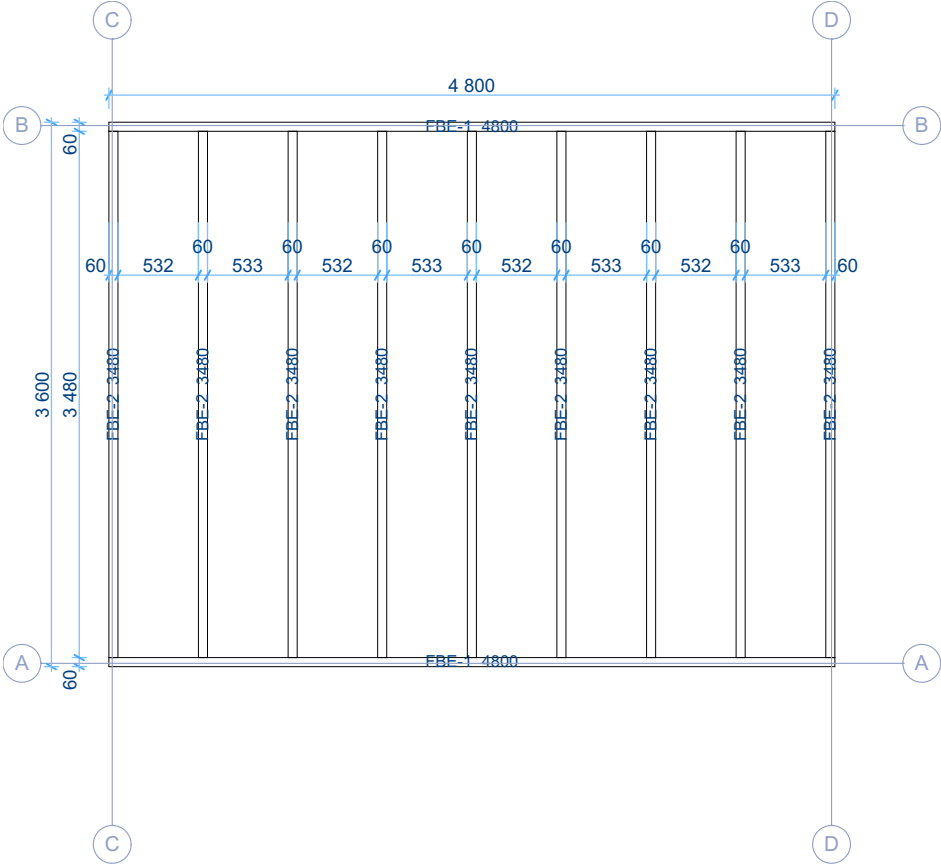
Walls and purlins positions



Thickness:	Project name:	Project ID:	Year:	Page:
44	Olympian gold 5x3,8		2023	2

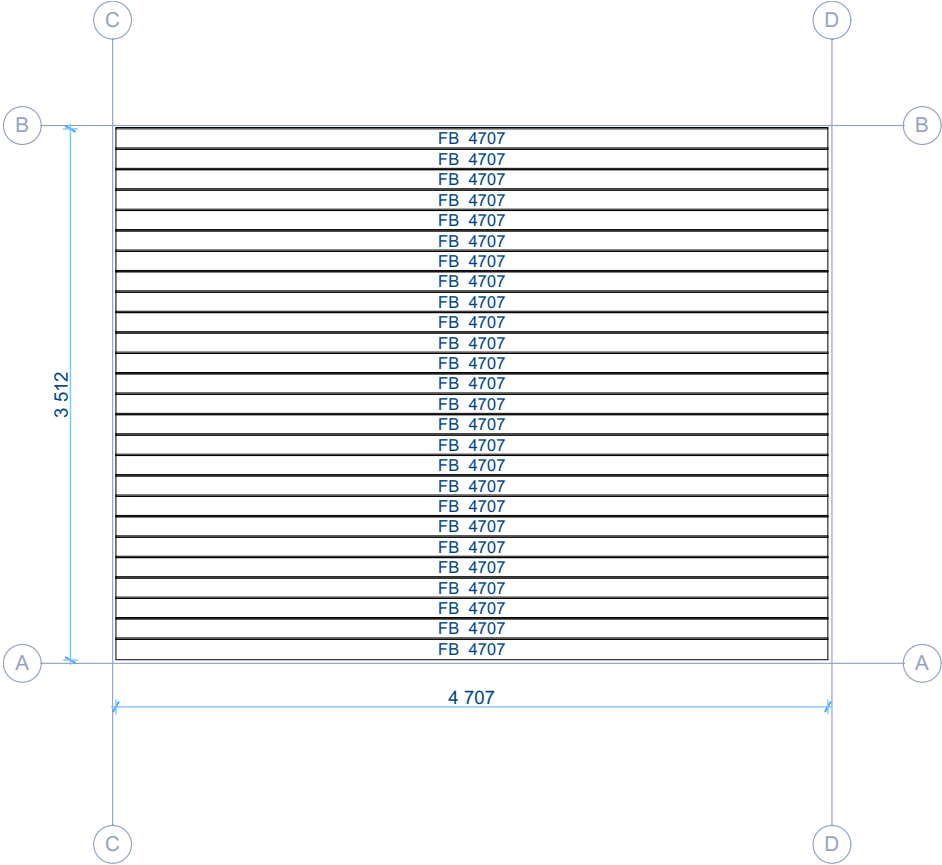
Floor bearers

1:50



Floor boards

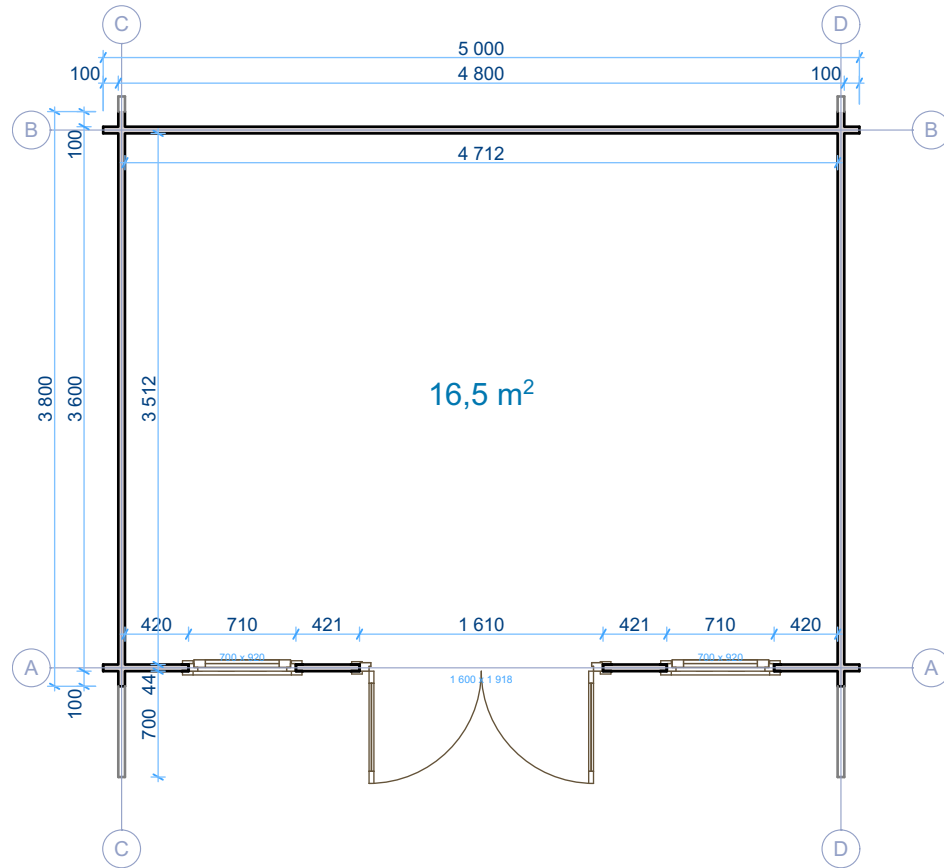
1:50



Thickness:	Project name:	Project ID:	Year:	Page:
44	Olympian gold 5x3,8		2023	3

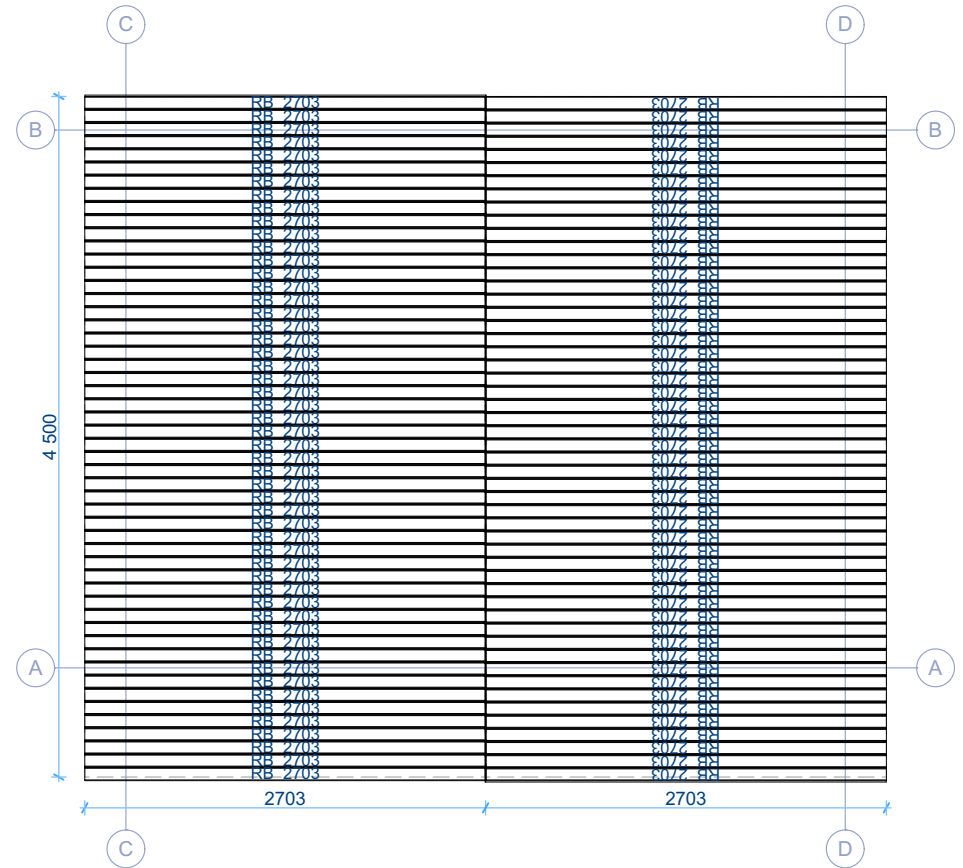
Ground floor plan

1:50



Roof boards

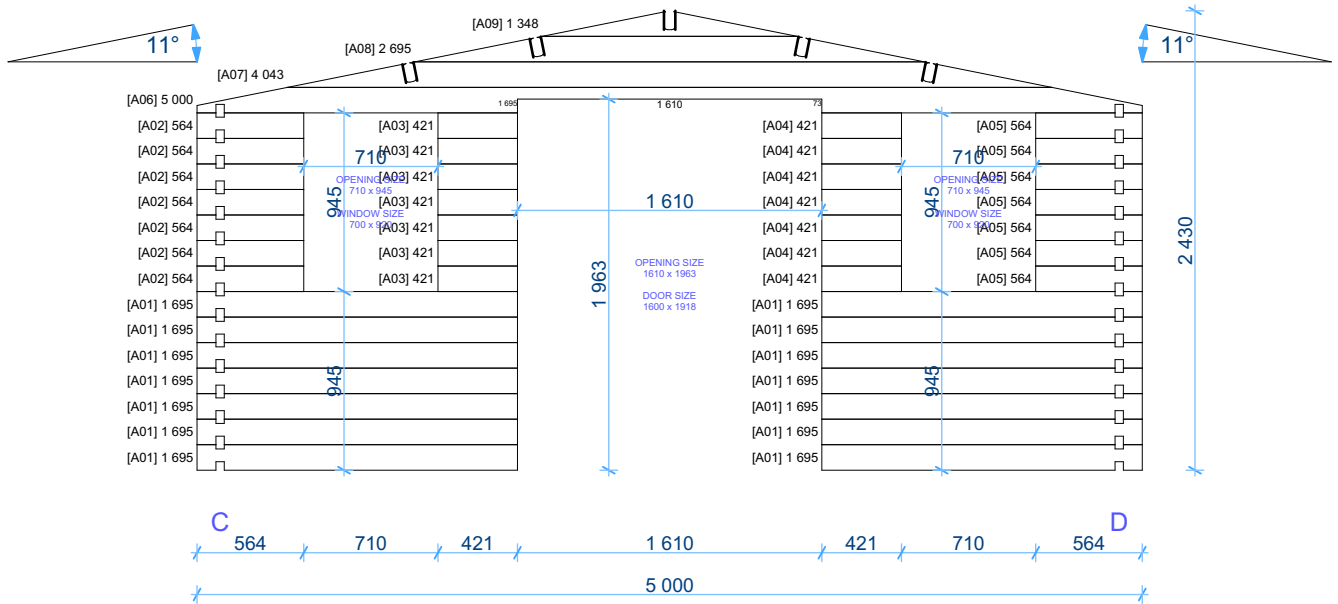
1:50



Thickness:	Project name:	Project ID:	Year:	Page:
44	Olympian gold 5x3,8		2023	4

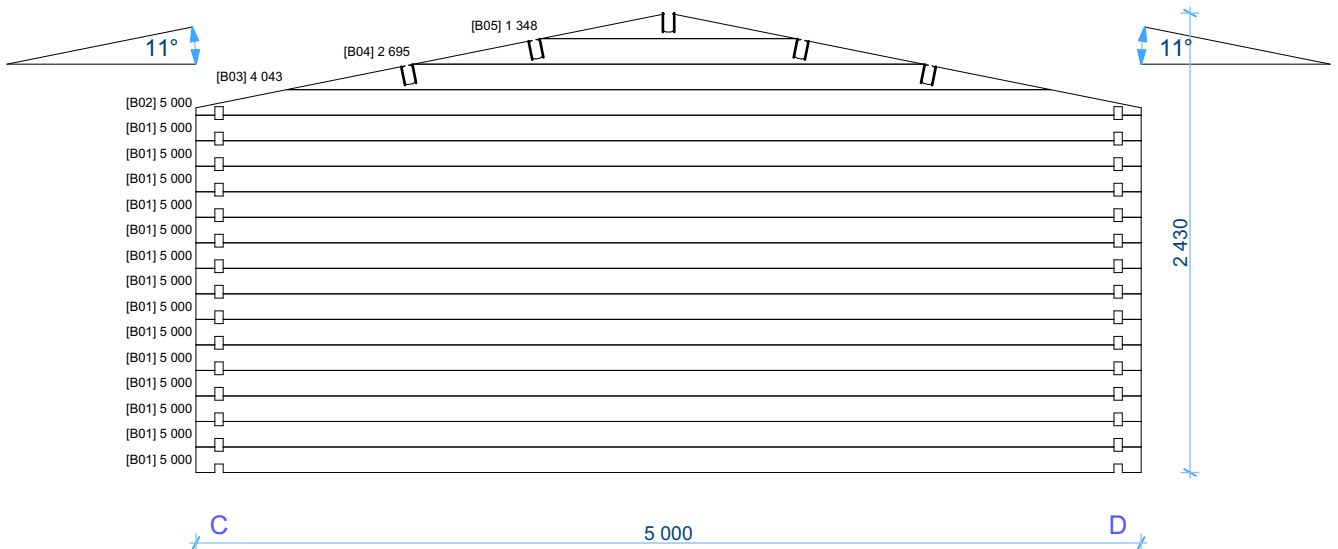
Wall A

1:40



Wall B

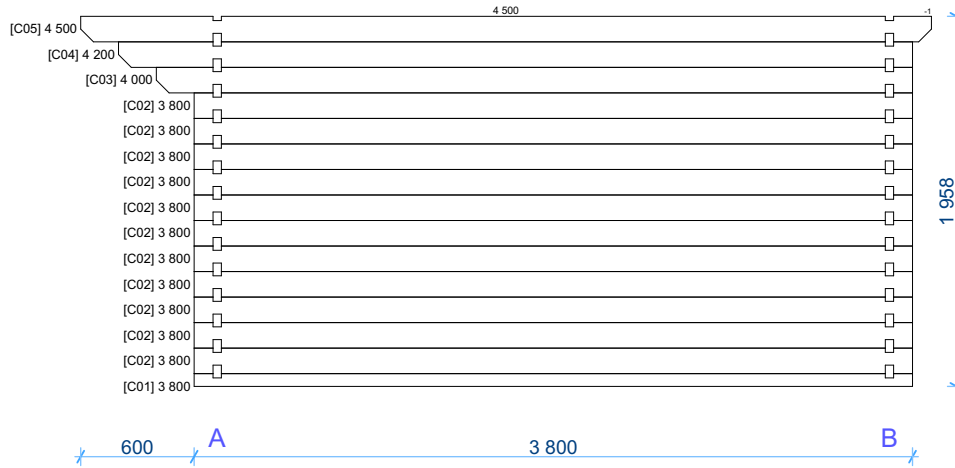
1:40



Thickness:	Project name:	Project ID:	Year:	Page:
44	Olympian gold 5x3,8		2023	5

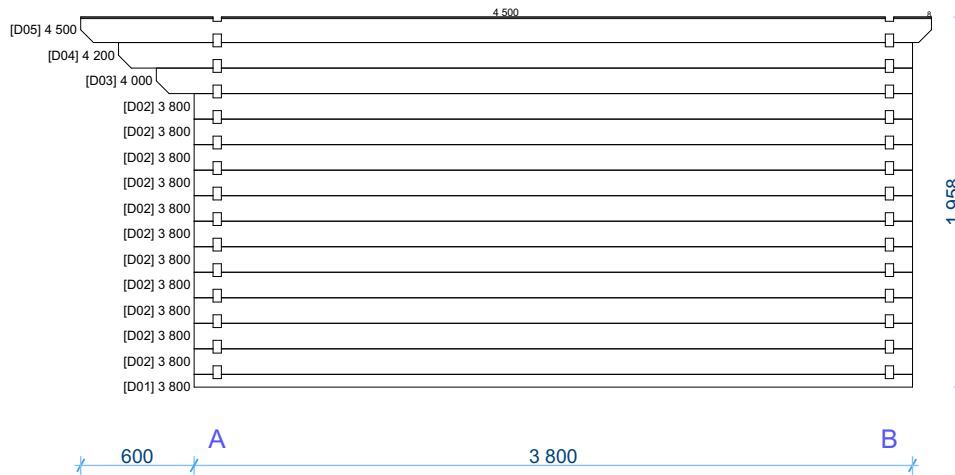
Wall C

1:40

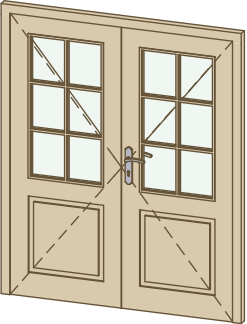




Wall D

1:40



Thickness:	Project name:	Project ID:	Year:	Page:
44	Olympian gold 5x3,8		2023	6

Windows and doors list							
Type-quality	Barcode	Wall Thickness	W x H Size	Orientation	Glazing	Quantity	3D Axonometry
Door - Premium	PG198160-2	44	1 600x1 918	R	50% glass, double glazed, safety (toughened) glass	1	
Window - Premium plus	P+G9270	44	700x920	L	Double glazed, safety (toughened) glass	1	
Window - Premium plus	P+G9270	44	700x920	R	Double glazed, safety (toughened) glass	1	

Thickness:	Project name:	Project ID:	Year:	Page:
44	Olympian gold 5x3,8		2023	7