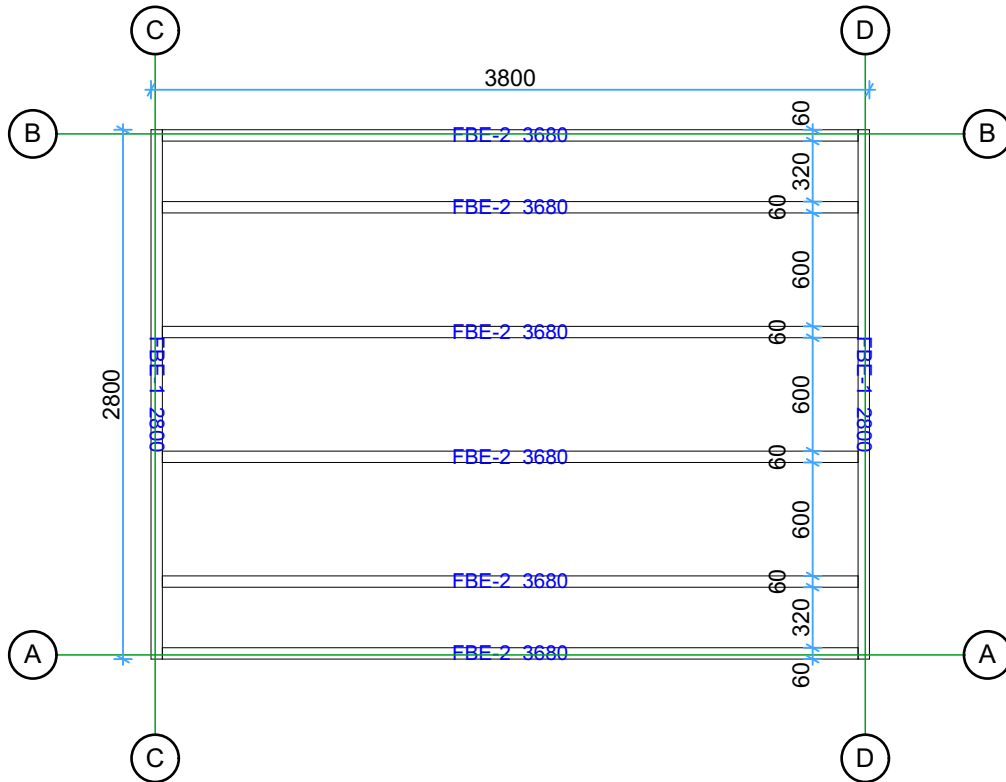


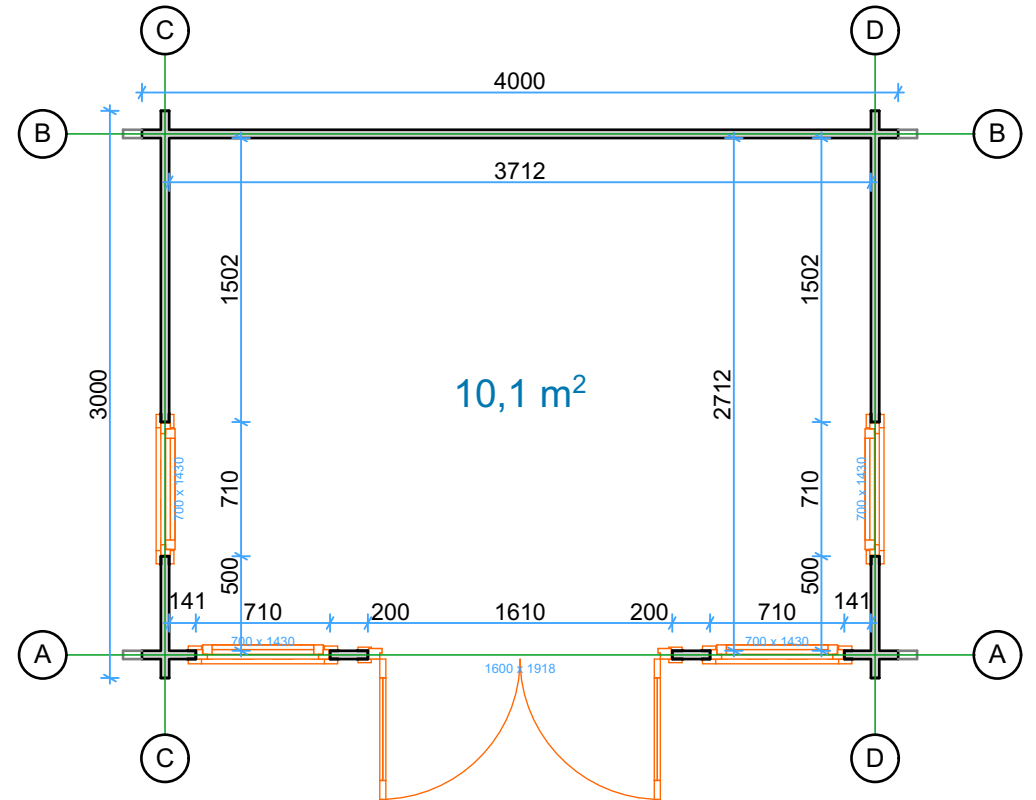


# 44 Low Clockhouse 4x3

Floor bearer



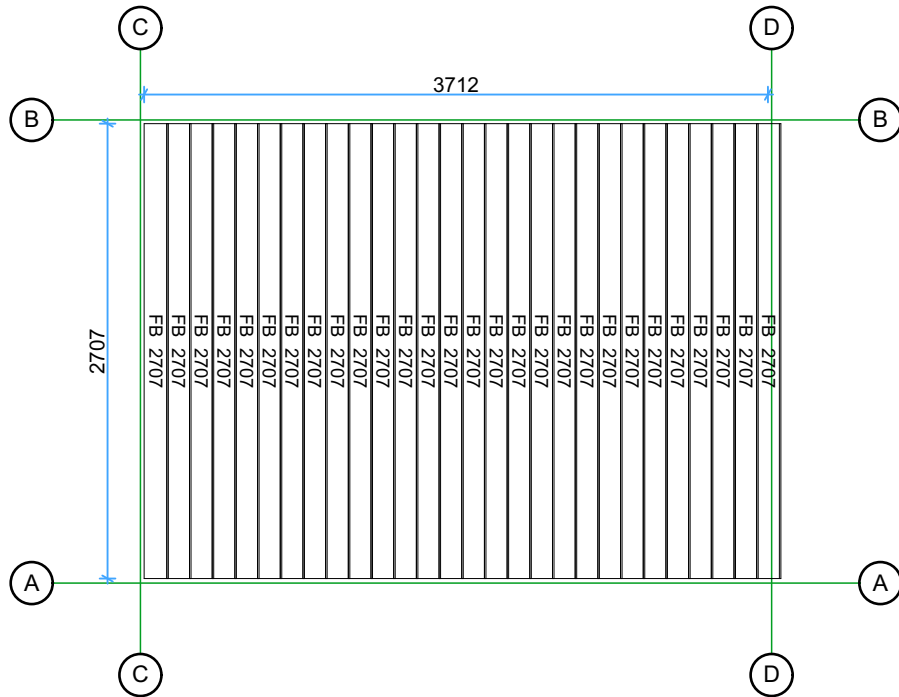
Ground Floor plan 1:40



Thickness:	Project name:	Project ID:	Year:	Page:
44	Low Clockhouse 4x3		2024	2

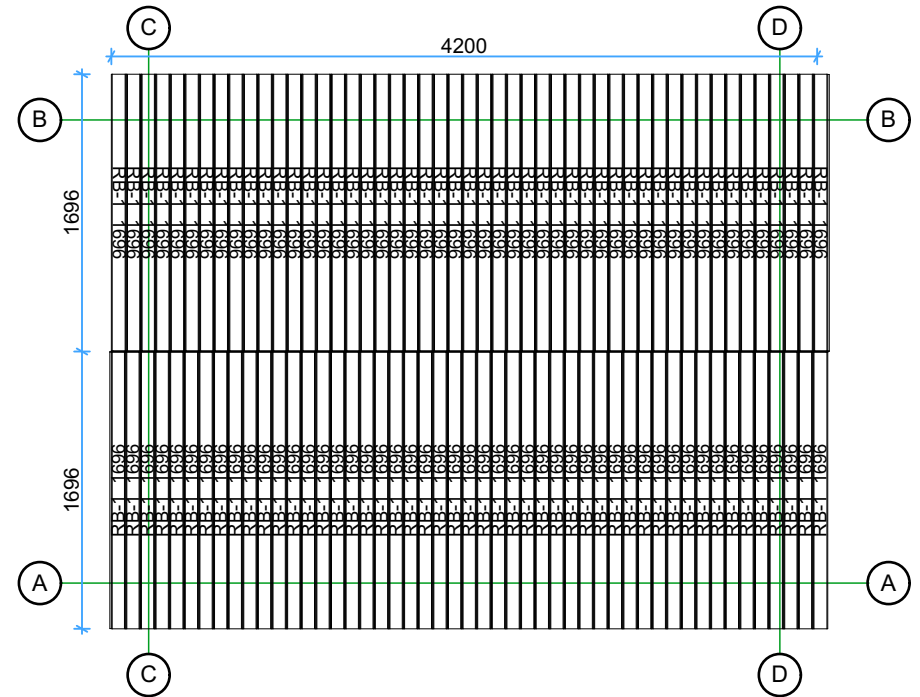
Floor boards

1:45



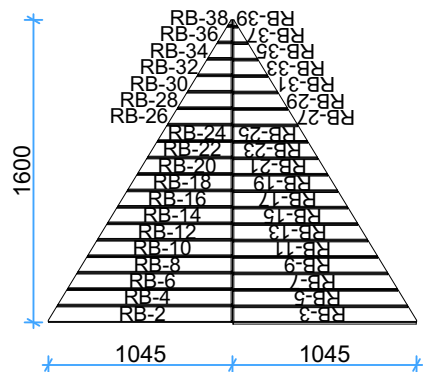
Roof boards -1

1:45



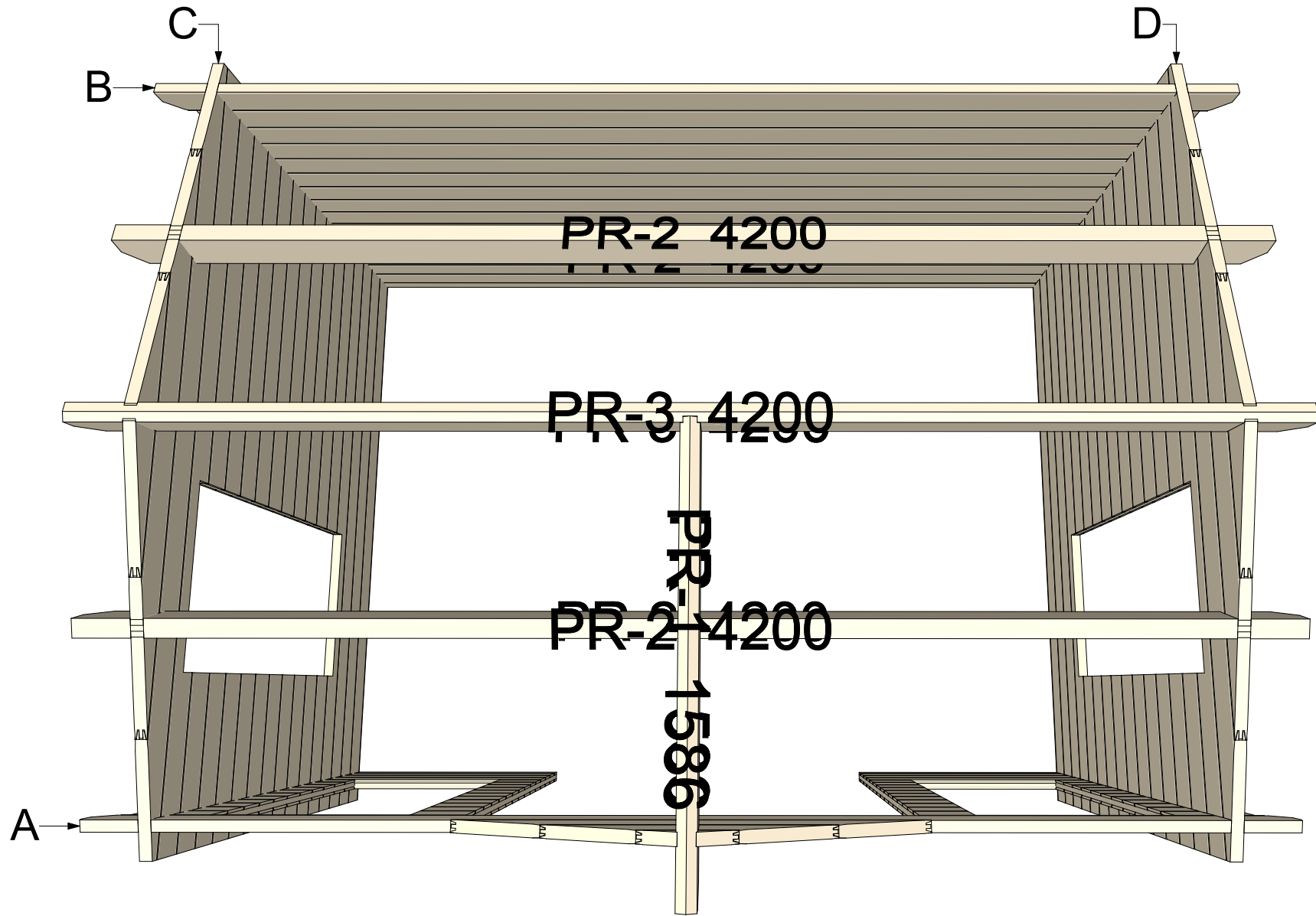
Roof boards-2

1:40



Thickness:	Project name:	Project ID:	Year:	Page:
44	Low Clockhouse 4x3		2024	3

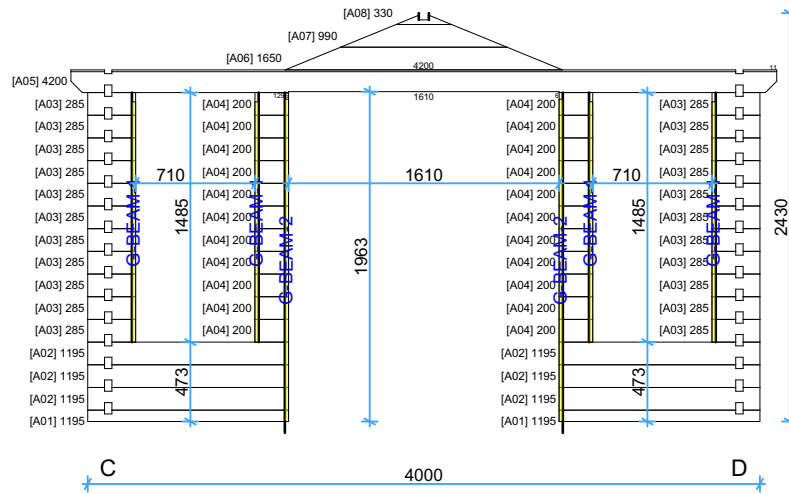
Walls and purlins positions



Thickness:	Project name:	Project ID:	Year:	Page:
44	Low Clockhouse 4x3		2024	4

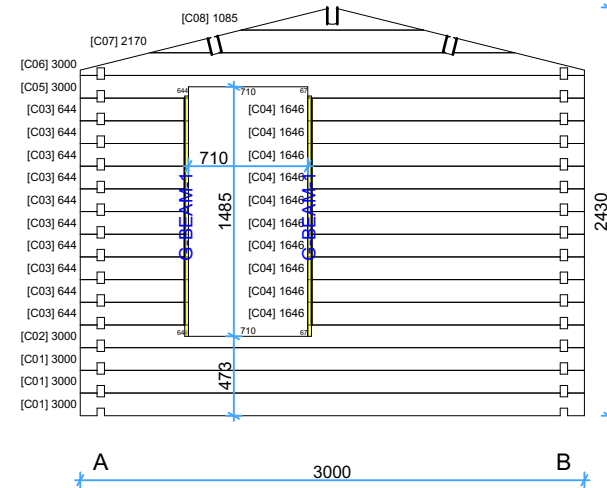
Wall A

1:45



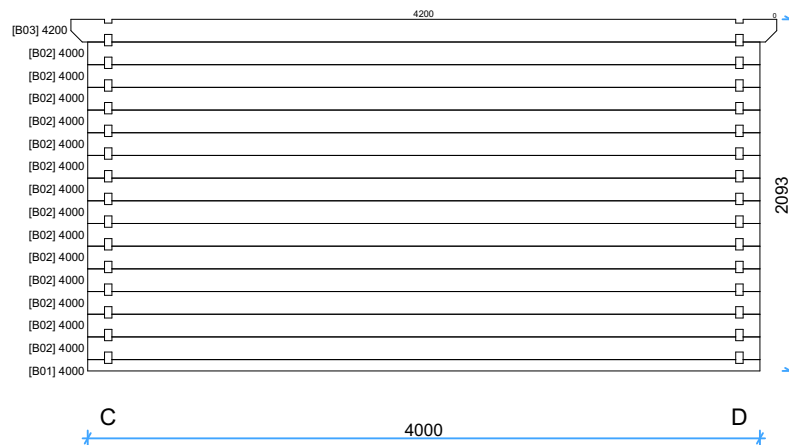
Wall C

1:45



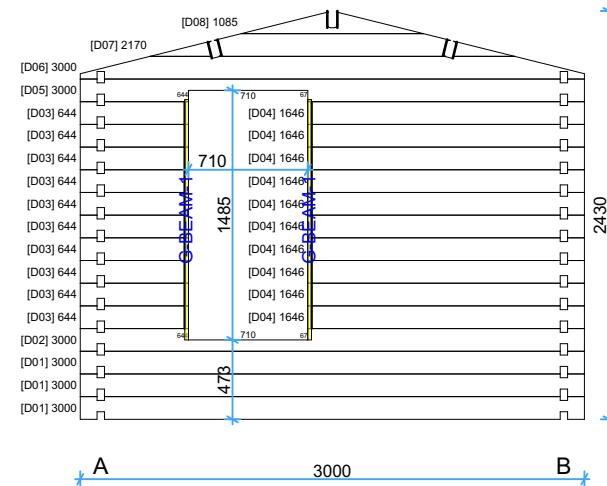
Wall B

1:45



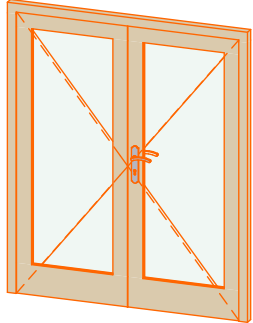
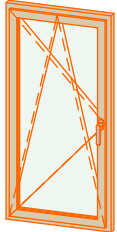
Wall D

1:45



Thickness:	Project name:	Project ID:	Year:	Page:
44	Low Clockhouse 4x3		2024	5

**44mm Low Clockhouse 4x3 Windows and doors list**

Type-quality	Barcode	Wall Thickness	W x H Size	Orientation	Glazing	Quantity	3D Axonometry
Door - Premium	PP198160-3	44	1600×1918	R	100%, double glazed, safety (toughened) glass	1	
Window - Premium	PP14370	44	700×1430	L	Double glazed, safety (toughened) glass	2	
Window - Premium	PP14370	44	700×1430	R	Double glazed, safety (toughened) glass	2	