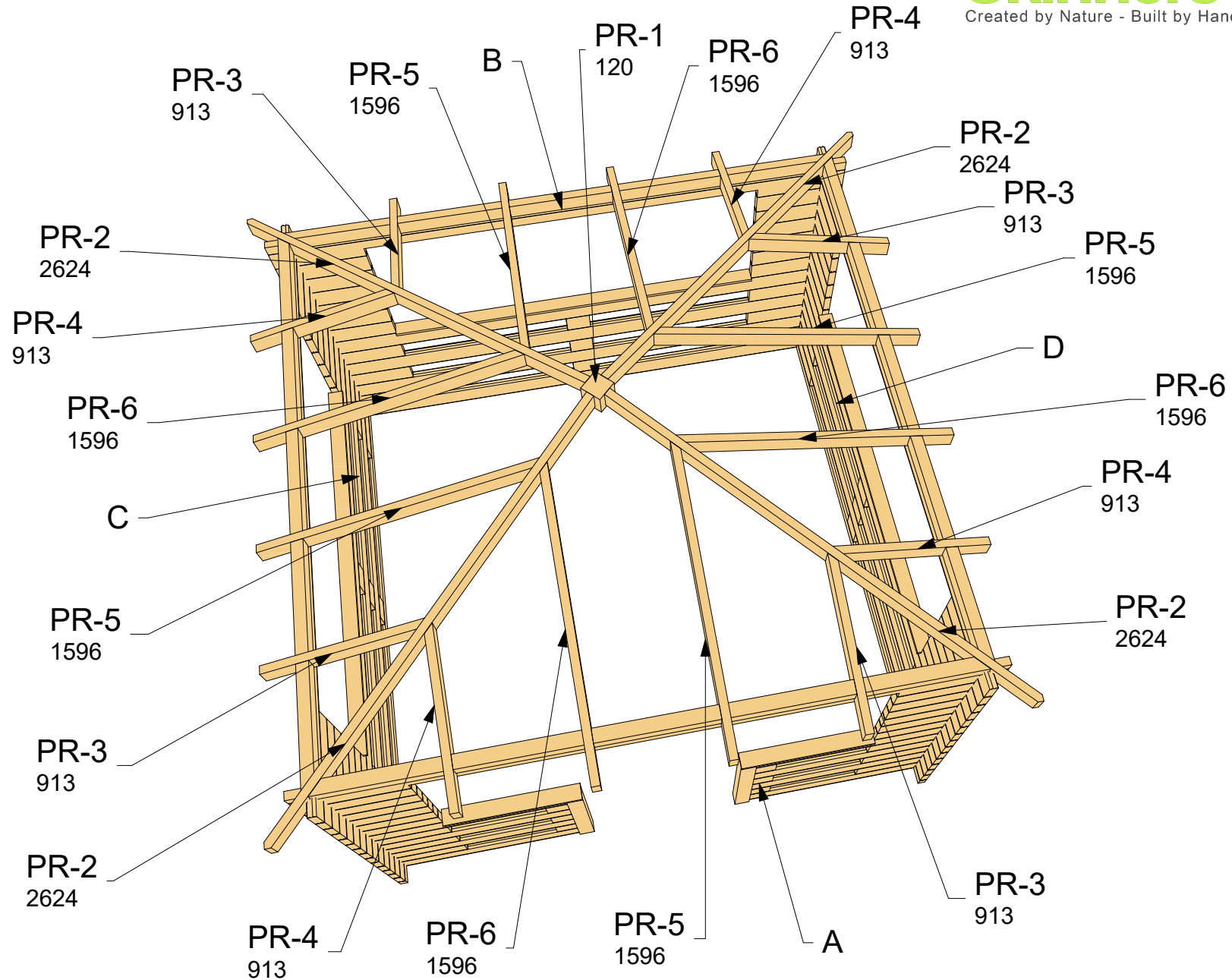


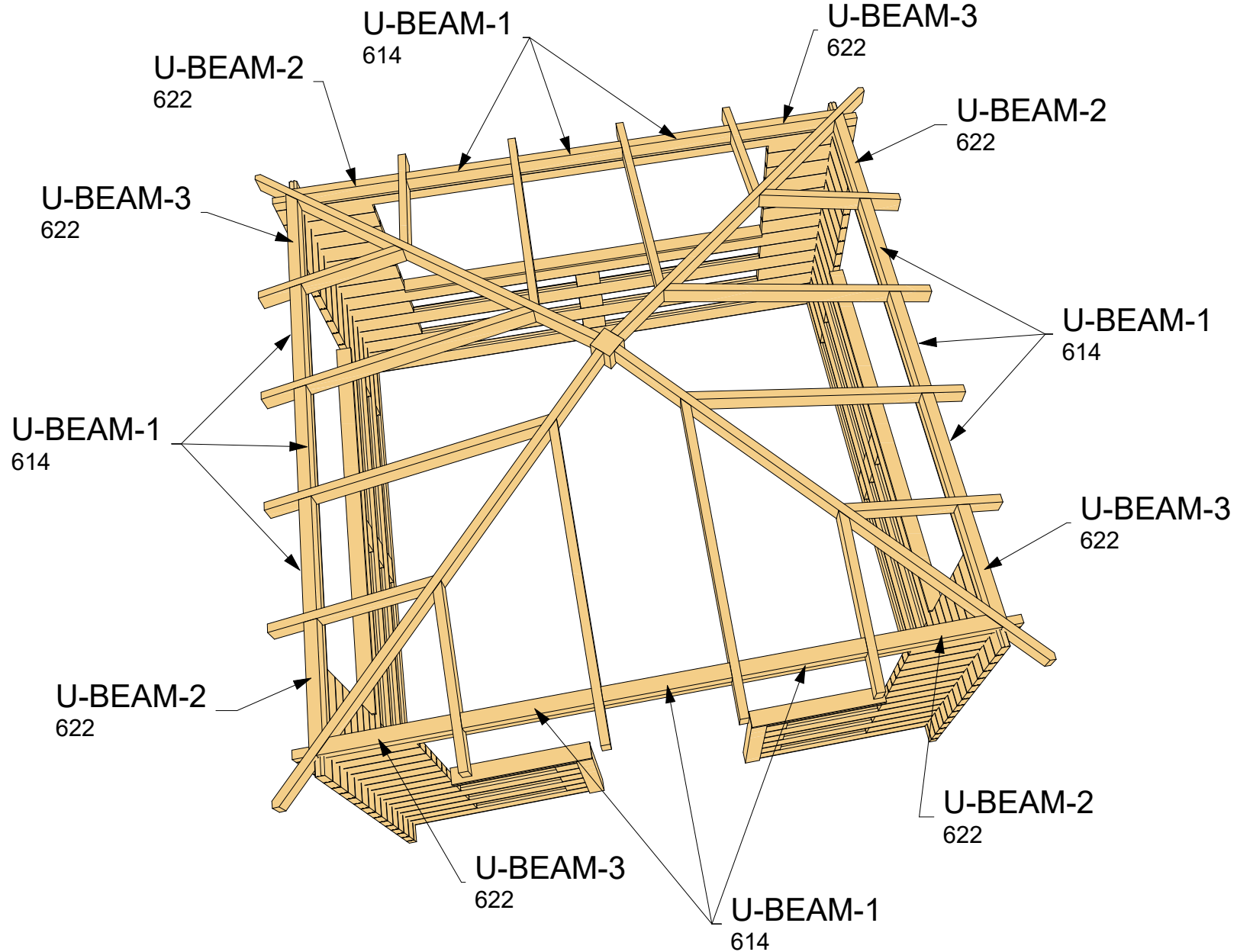


44mm Gazebo 3,5x3,5

Architect name:	Thickness:	Type:	Project name:	Project No:	Year:	Page:
Gytis Buda	44mm	Standard	Gazebo 3,5x3,5		2019	1

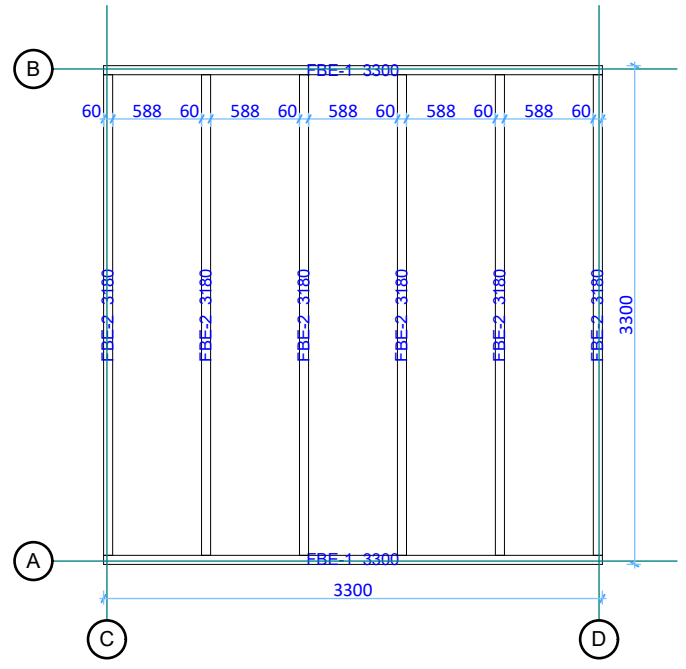


Architect name:	Thickness:	Type:	Project name:	Project No:	Year:	Page:
Gytis Buda	44mm	Standard	Gazebo 3,5x3,5		2019	2

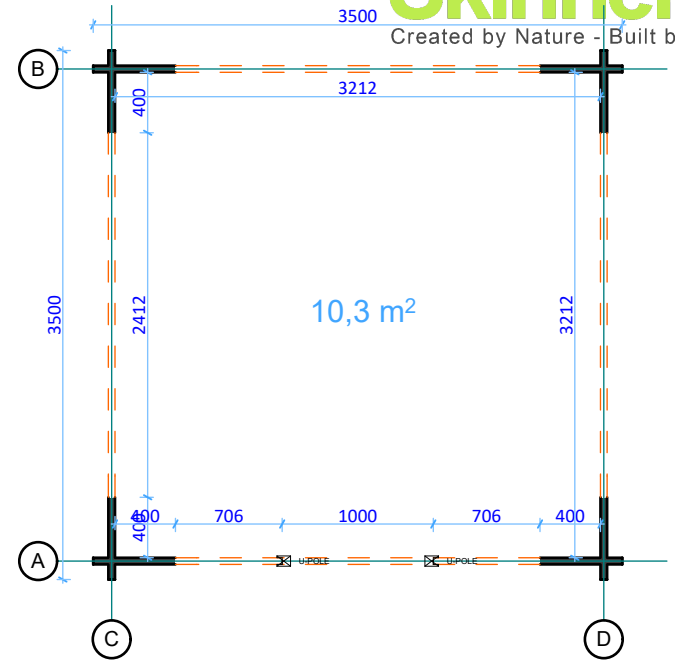


Architect name:	Thickness:	Type:	Project name:	Project No:	Year:	Page:
Gytis Buda	44mm	Standard	Gazebo 3,5x3,5		2019	3

Floor bearers 1:50



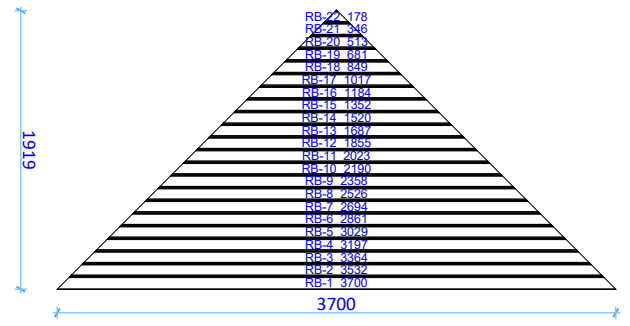
Floor plan 1:50



Terrace boards 1:50

- | |
|---------|
| TB 3206 |
| TB 3206 |
| TB 3206 |
| TB 3206 |
| TB 3206 |
| TB 3206 |
| TB 3206 |
| TB 3206 |
| TB 3206 |
| TB 3206 |
| TB 3206 |
| TB 3206 |
| TB 3206 |
| TB 3206 |
| TB 3206 |
| TB 3206 |
| TB 3206 |
| TB 3206 |
| TB 3206 |
| TB 3206 |
| TB 3206 |
| TB 3206 |
| TB 3206 |
| TB 3206 |
| TB 3206 |
| TB 3206 |
| TB 3206 |
| TB 3206 |
| TB 3206 |
| TB 3206 |
| TB 3206 |
| TB 3206 |
| TB 3206 |
| TB 3206 |
| TB 3206 |
| TB 3206 |
| TB 3206 |
| TB 3206 |
| TB 3206 |
| TB 3206 |
| TB 3206 |
| TB 3206 |
| TB 3206 |

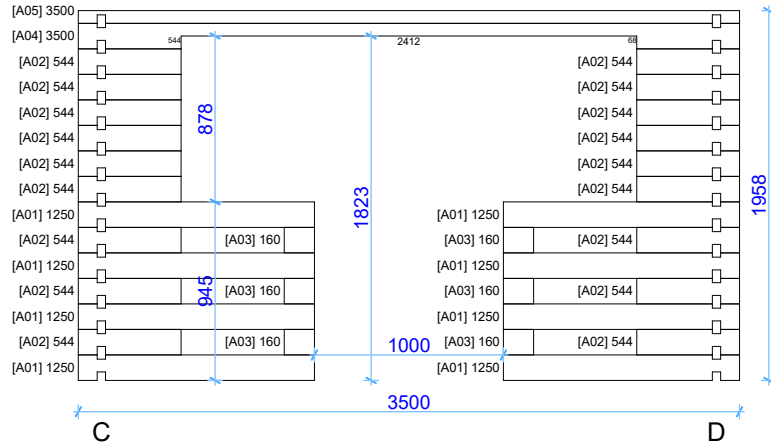
Roof boards (4 units) 1:50



Architect name:	Thickness:	Type:	Project name:	Project No:	Year:	Page:
Gytis Buda	44mm	Standard	Gazebo 3,5x3,5		2019	4

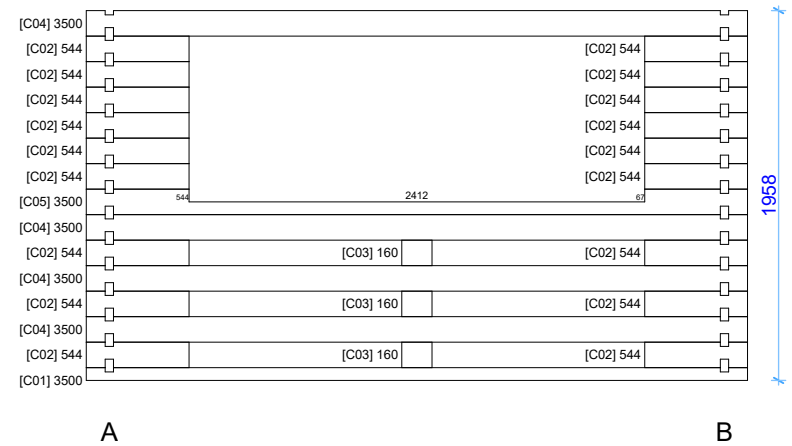
Wall A

1:40



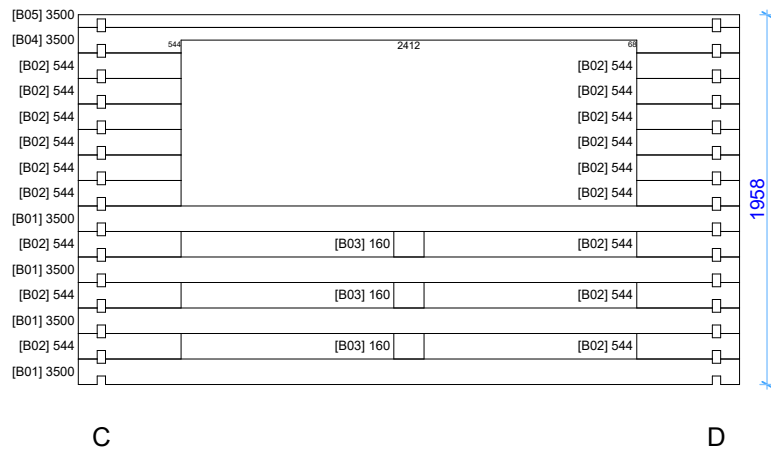
Wall C

1:40



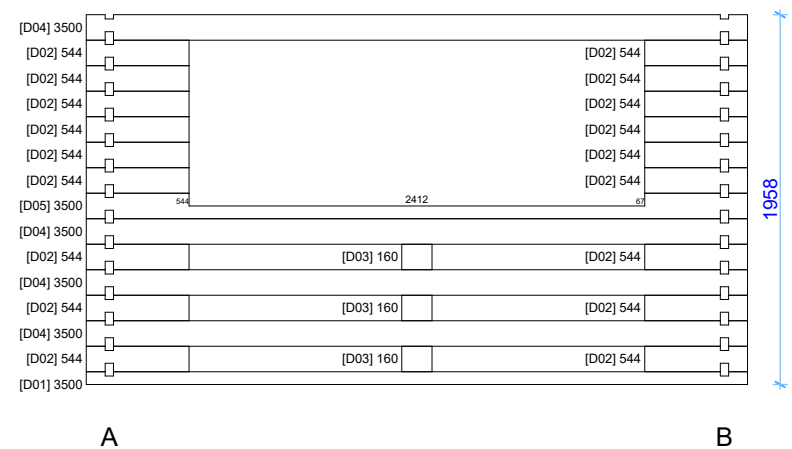
Wall B

1:40



Wall D

1:40



Architect name:	Thickness:	Type:	Project name:	Project No:	Year:	Page:
Gytis Buda	44mm	Standard	Gazebo 3,5x3,5		2019	5